

Application Note

Operating without the +24 V power source

SMB00 – Power Input Interface

Optical Phase-Locked Loop Modules

Overview

Since some power supplies can be omitted, modifications are required to avoid a false under-voltage detection. Such modifications are reported when the 24 V source is not connected.

Scope

This note applies to the SMB00-R15A module and its related documents or hardware

<u>Related document</u>	<u>Release number</u>
Circuit diagram	SMB00-DD01-R15A
Printed circuit board	SMB00-DD01-R15A

Operating without the +24 V power supply

The monitoring circuit could be modified in such operation to prevent an under-voltage detection. *This modification is only required if the /ERROR output is used by a module in the stack.* To set the front panel led LED303 off, carefully remove the diode D304 as indicated in Fig.1. Once the diode removed, the /ERROR output (labeled /FAULT on this part of the schematic) is no longer sensitive to the missing power supply.

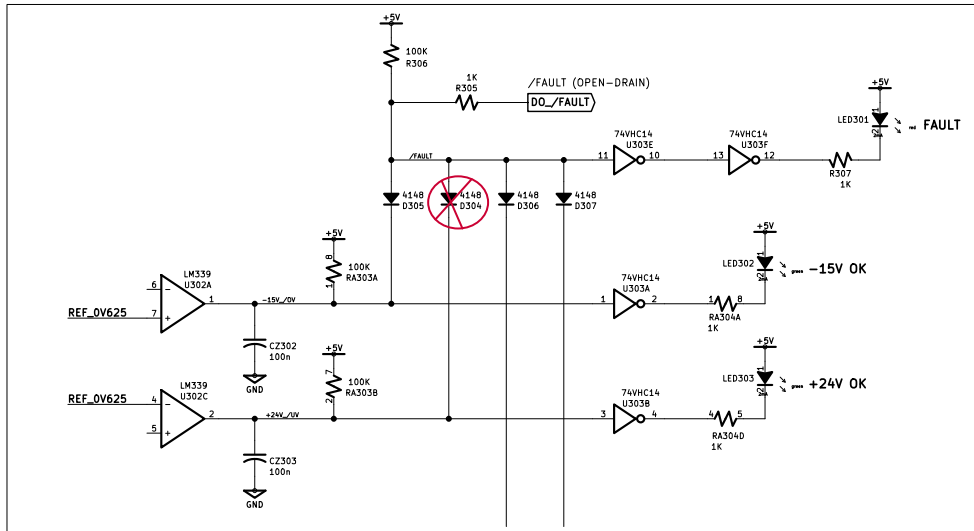


Figure 1: Modification on circuit board to operate without the +24 V source. Once the diode removed, neither the led nor the /FAULT signal are sensitive to the missing power supply.

Document revision history

Release	Comments
SMB00-SN02-R15A	first release

Notice

Information in this document is subject to change without notice. Copyright © SISYPH, 2015. All rights reserved.