



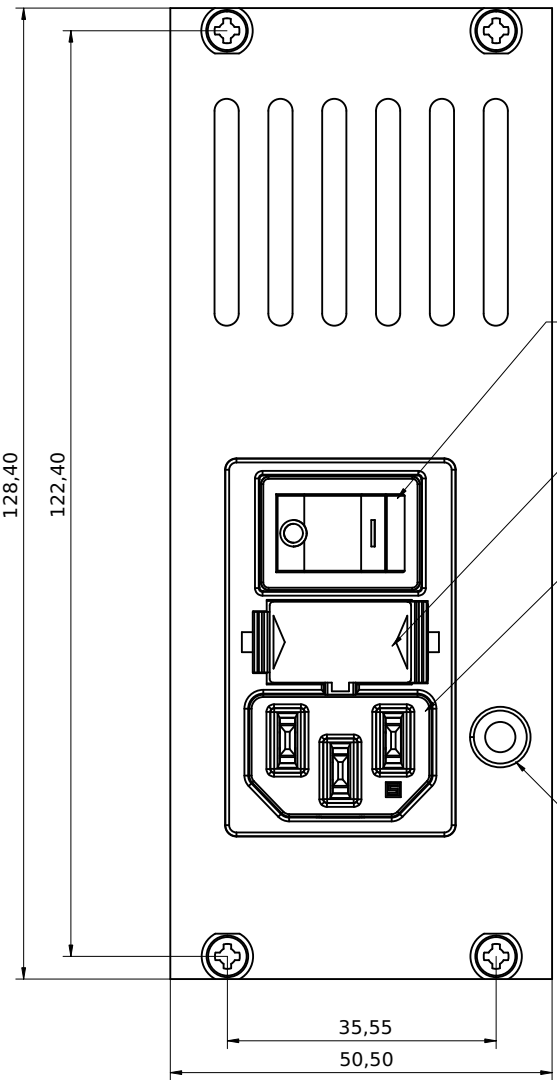
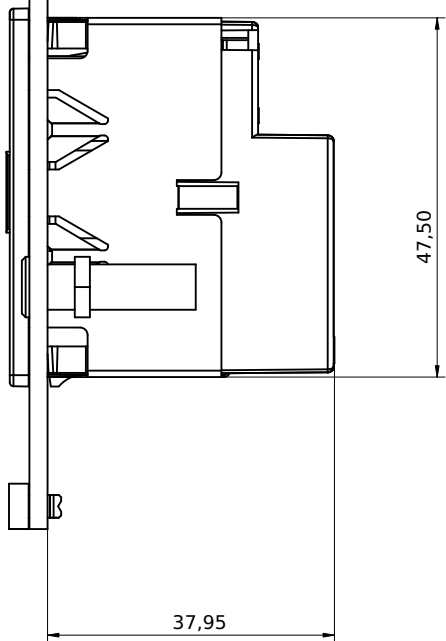
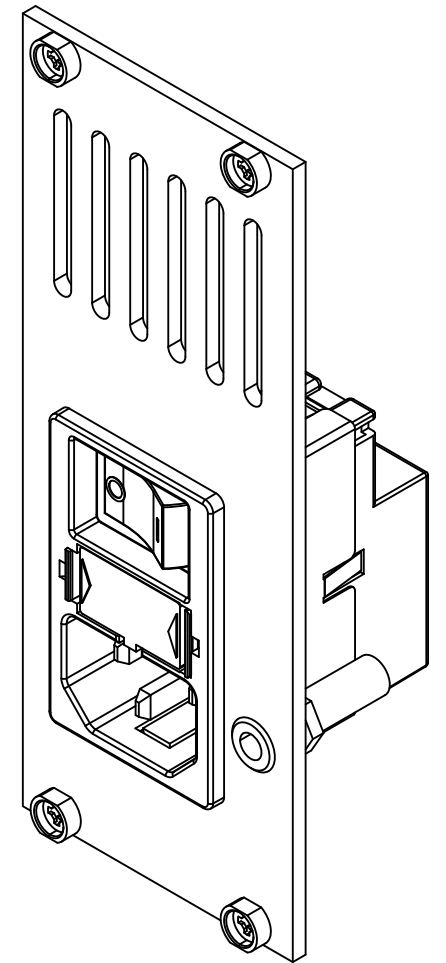
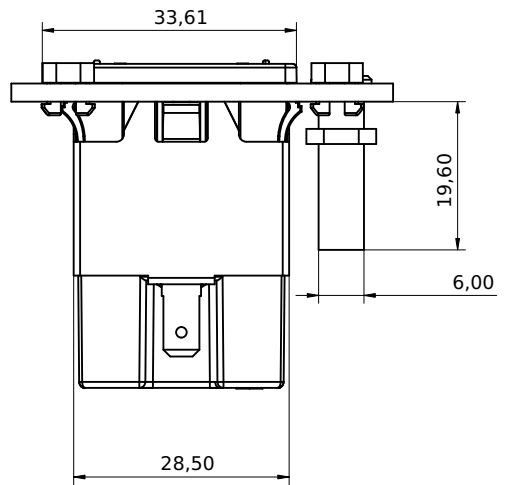
A
B
C
D
E

A
B
C
D
E

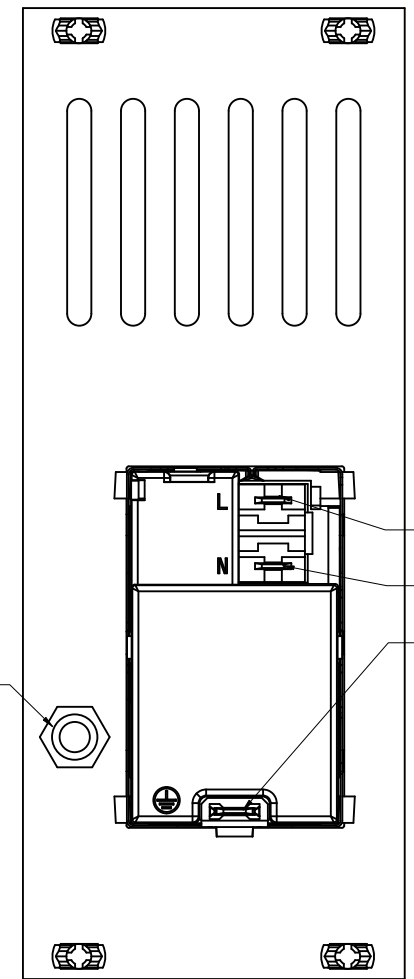
1 2 3 4 5 6 7

1 2 3 4 5 6 7

Sleeve for M2.5 Collar Screws (4x)



- Dual On/Off Switch
- Dual Fuse Holder
- IEC-C14 Inlet Receptacle
- Chassis Ground
- 4-mm Banana Jack
- Line
- Neutral
- Chassis Ground



Scale 1:1 Units mm

For Information Only
Not For Manufacturing Purposes

General Tolerances	
1000 < X ≤ 2000	±1.2
400 < X ≤ 1000	±0.8
120 < X ≤ 400	±0.5
30 < X ≤ 120	±0.3
6 < X ≤ 30	±0.2
3 < X ≤ 6	±0.1
0.5 < X ≤ 3	±0.1
Nominal Size Range	Tol.Limits

Project
SPC210-R21A - 3U/10HP AC Power Entry Panel

Title
Assembly Example



Approved		
Checked		
Drawn	21-08-16	GGB
	Date	Name

Drawing
SPC210-DD01-I21A

Sheet 1 of 1
Revision
Signals and Systems for Physics