



Cooler fan 80x80x25 mm

32.50

M4 Washer (4x)

M4 x 35mm (4x)

M4 HEX (4x)

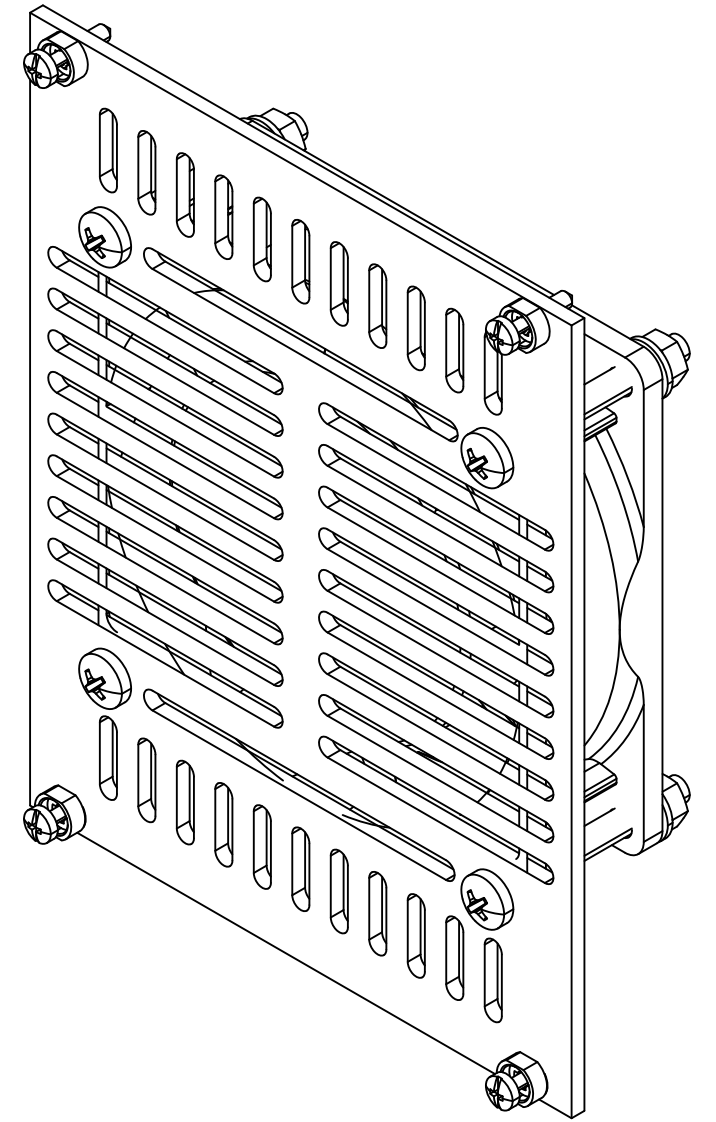
Sleeve for M2.5 collar screw (4x)

M2.5 collar screw (4x)

71.50
128.40

71.50

101.30



**For Illustration Only
Not For Manufacturing Purposes**

ANY REPRODUCTION IN PART OR AS A WHOLE WITHOUT THE WRITTEN PERMISSION OF Signals and Systems for Physics IS PROHIBITED.

Scale	Units	
1:1	mm	

General Tolerances	
1000 < X ≤ 2000	±1.2
400 < X ≤ 1000	±0.8
120 < X ≤ 400	±0.5
30 < X ≤ 120	±0.3
6 < X ≤ 30	±0.2
3 < X ≤ 6	±0.1
0.5 < X ≤ 3	±0.1
Nominal Size Range	Tol.Limits

Project
SPC510-R21A - 3U/20HP Vented Panel

Title
Assembly Drawings

Approved		
Checked		
Drawn	21-08-19	GGB
	Date	Name

Drawing
SPC510-DD01-I21A

Sheet	Revision	
1 of 1		Signals and Systems for Physics

